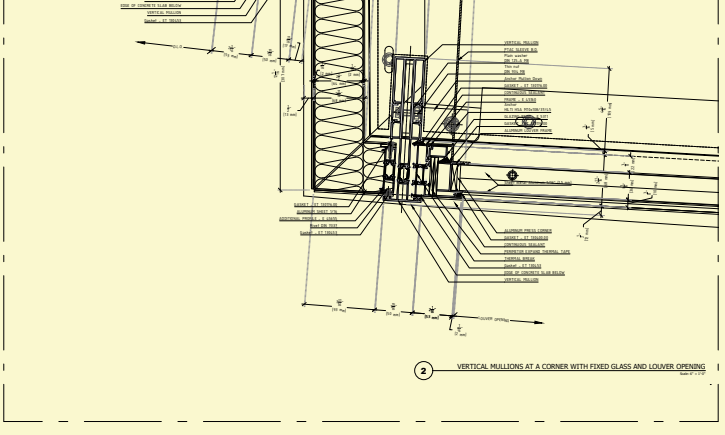
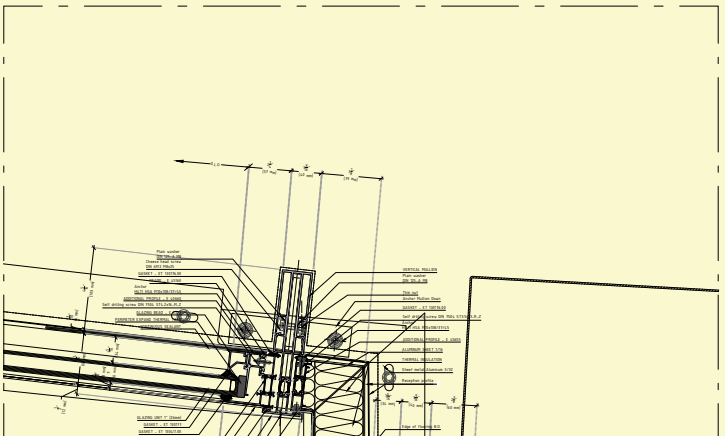
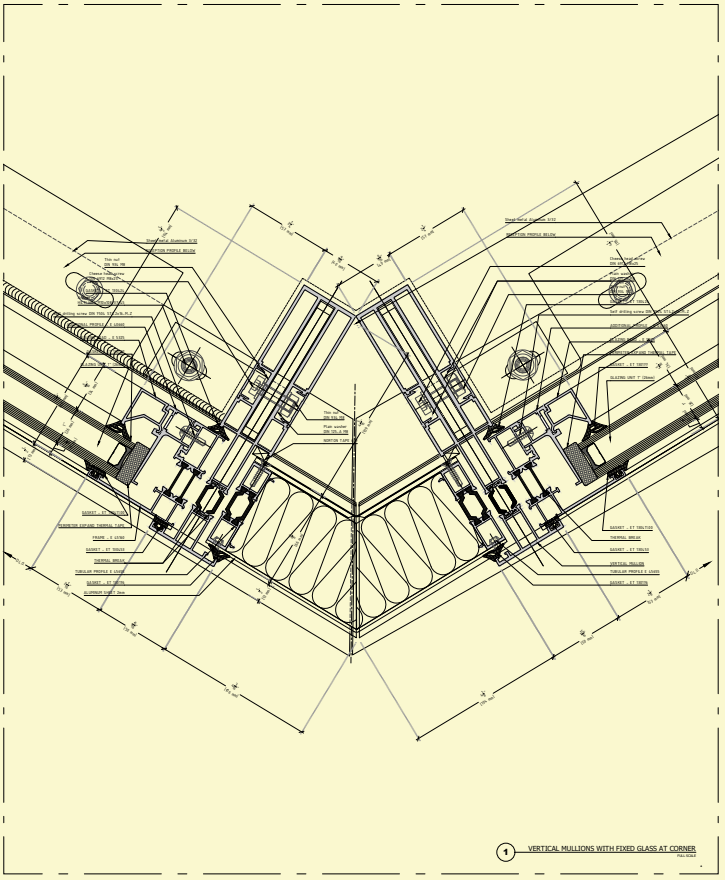
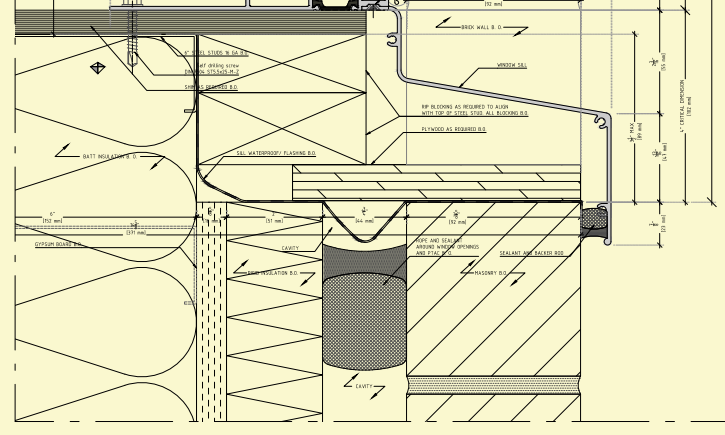
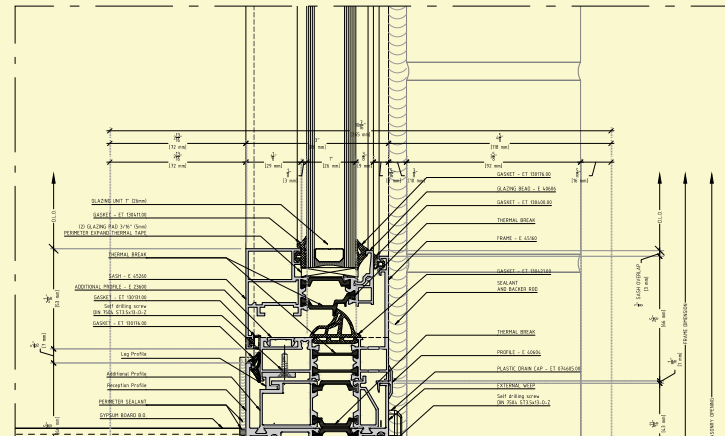
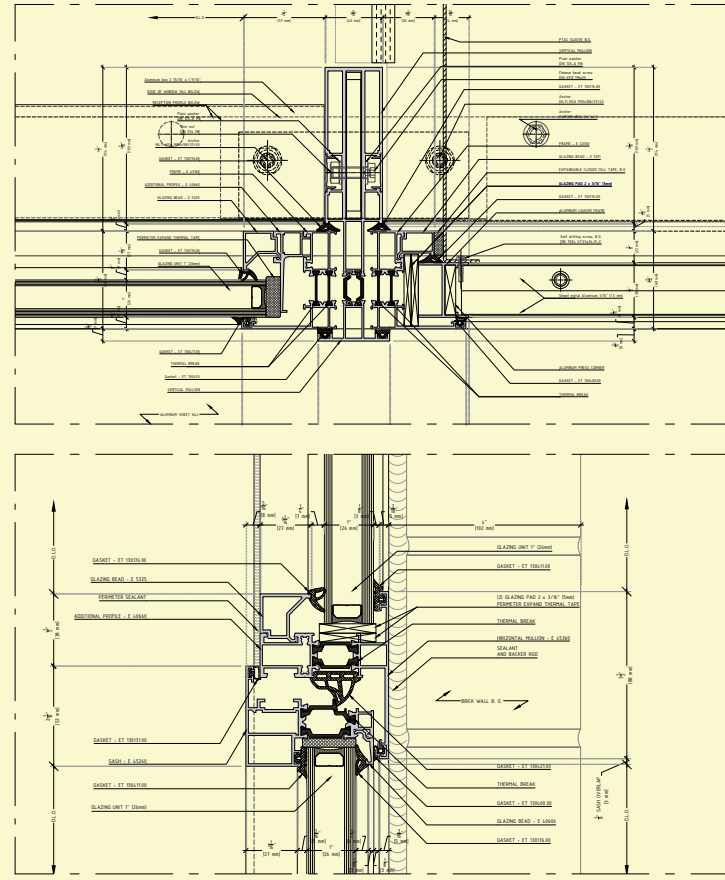
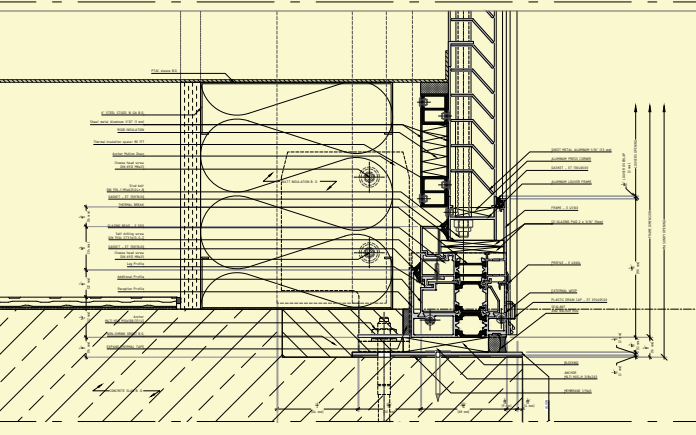
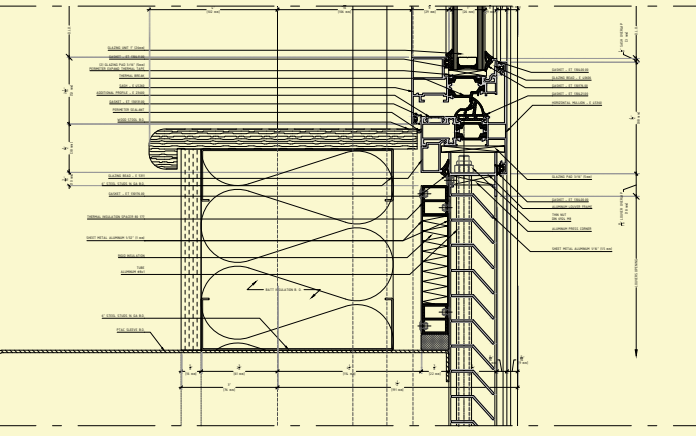
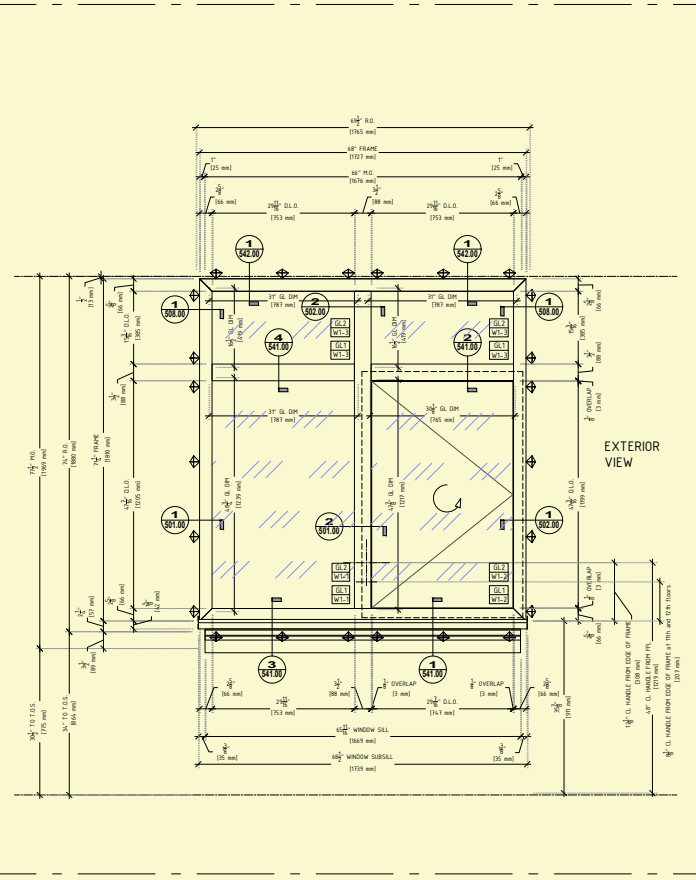
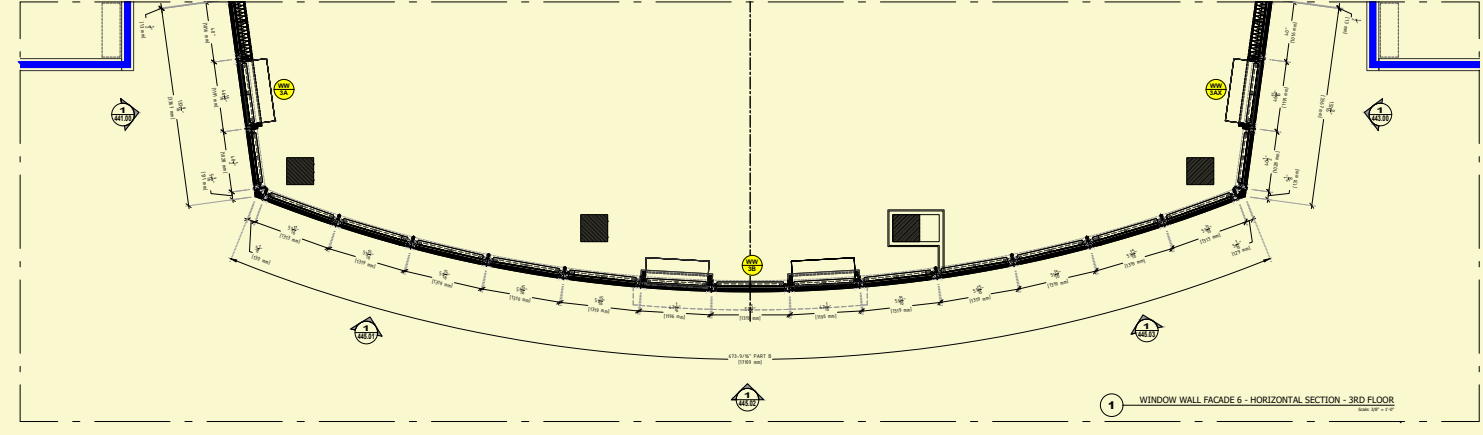
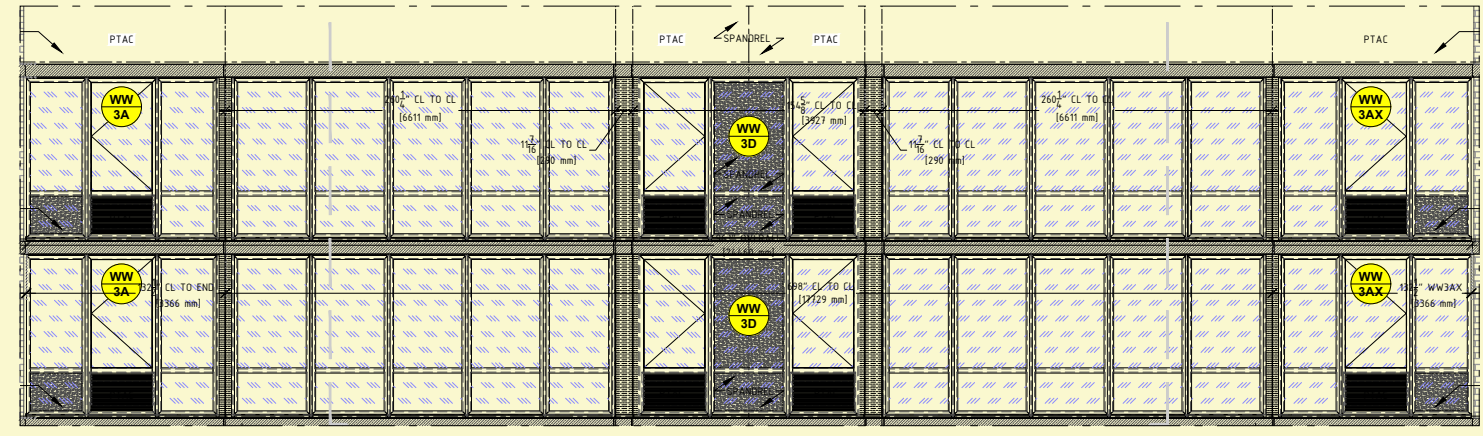
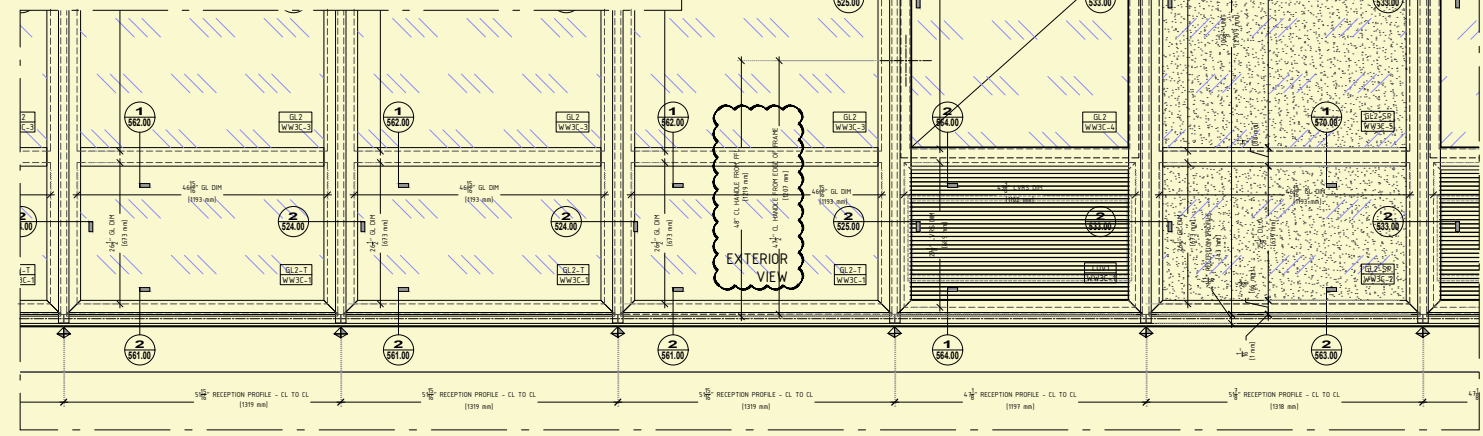


RIVER ROAD

Vijay Kale Architects PC

Location: New Jersey, USA
Date of completion: 2016
Area: 6 724 m²
Shop Drawings: 264 pcs @ ARCH D
Cut Sheets: XX pcs
Contractor: European Window Systems (EWS)



Scope of Services:
Shop drawings & Workshop drawings for:
Windows
Doors
Window walls
Railings