

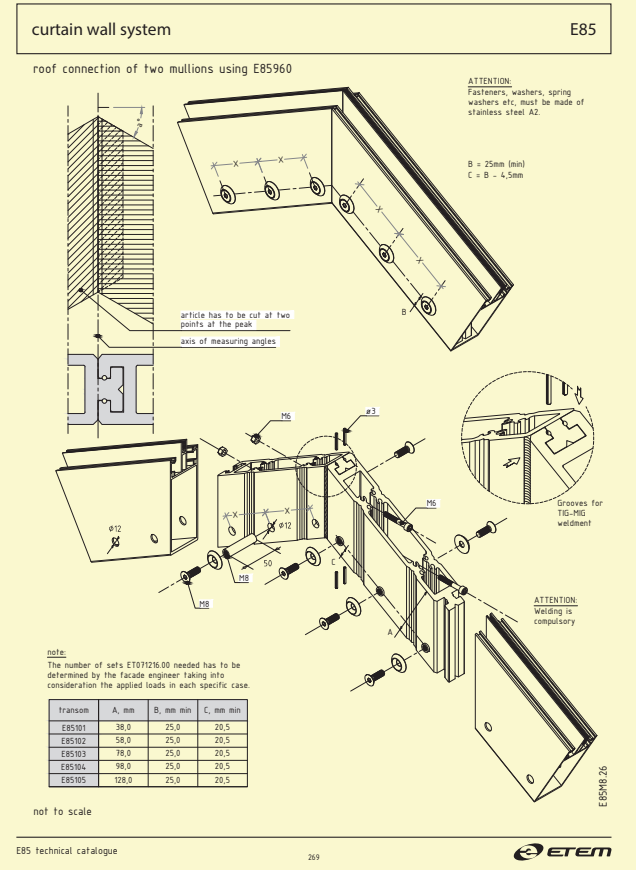
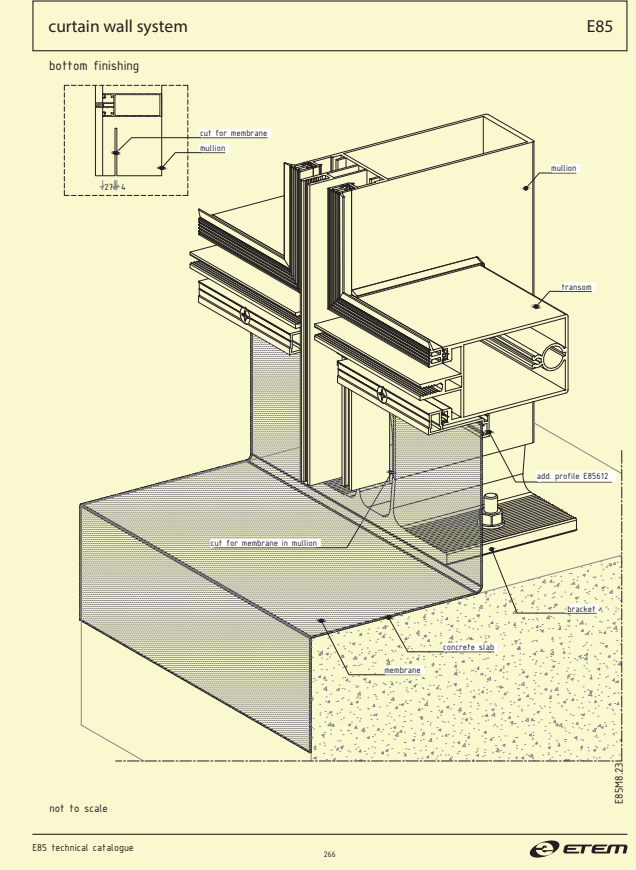
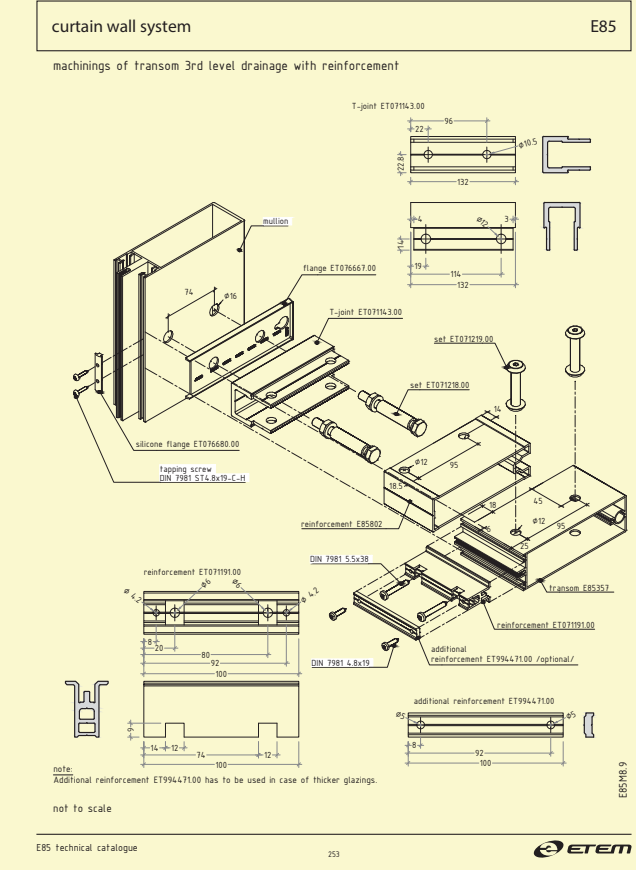
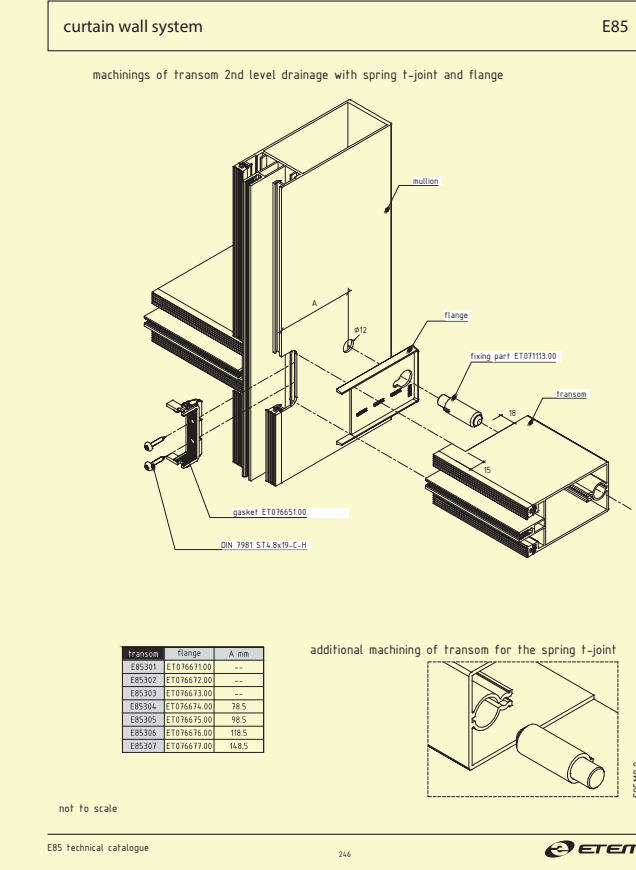
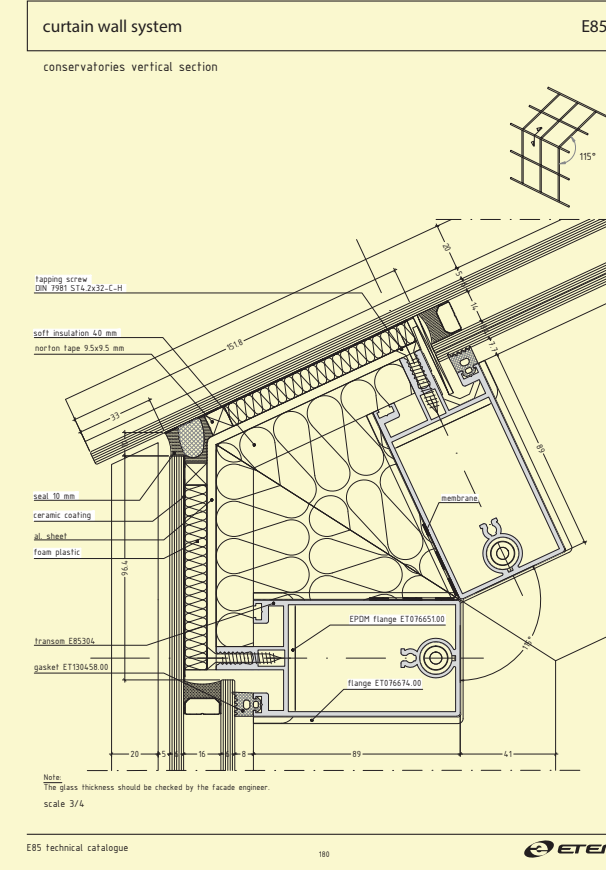
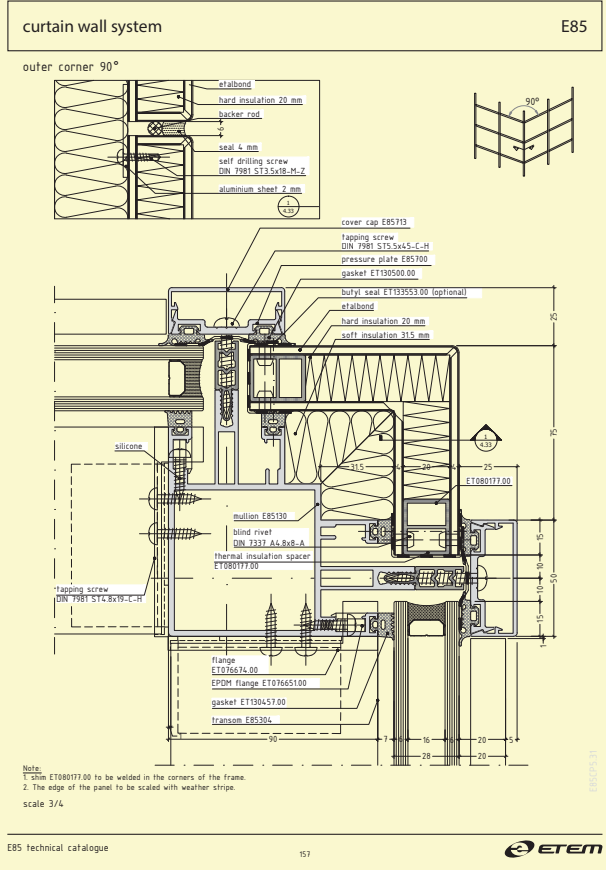
TECHNICAL CATALOG E85 Curtain wall system

Date of completion: 2009
Shop Drawings: 242 pcs @ A4 & 79 pcs @ A3
Cut Sheets: XX pcs
Contractor: ETEM



mullions, inserts, connectors and flush transoms 2nd and 3rd level

code	insert	roof connector	2 nd level flush transom	2 nd level flush transom + suppl. profile	3 rd level flush transom	3 rd level flush transom + suppl. profile
E85100	-	E85960	E85302	E85302	E85352	-
E85101	E85951	E85960	E85303	E85300+E85600	E85353	E85380+E85600
E85102	E85952	E85960	E85304	E85300+E85601	E85354	E85380+E85601
E85103	E85953	E85960	E85305	E85300+E85602	E85355	E85380+E85602
E85104	E85954	E85960	E85306	E85300+E85603	E85356	E85380+E85603
E85105	E85955	E85960	E85307	-	E85357	-
E85106	E85956	E85969	-	-	E85358	-
E85107	E85957	E85969	-	-	E85359	-
E85108	E85958	E85969	-	-	E85359	-
E85109	E85959	E85969	-	-	E85369	-



curtain wall system E85

code	description	profile	length weight and parameter vs parameter	static values
E85100	mullion		6,6 m 2086 g/m 148 mm 149 mm	Ix: 27,70 cm ⁴ W _{pl} : 6,96 cm ³ e _{xx} : 2,50 cm e _{yy} : 1,93 cm Iy: 19,39 cm ⁴ W _{pl} : 7,75 cm ³ e _{xx} : 3,98 cm e _{yy} : 1,62 cm
E85101	mullion		6,6 m 2201 g/m 148 mm 189 mm	Ix: 58,84 cm ⁴ W _{pl} : 12,90 cm ³ e _{xx} : 2,50 cm e _{yy} : 2,66 cm Iy: 23,79 cm ⁴ W _{pl} : 9,51 cm ³ e _{xx} : 4,76 cm e _{yy} : 1,70 cm
E85102	mullion		6,6 m 2417 g/m 158 mm 229 mm	Ix: 161,45 cm ⁴ W _{pl} : 19,85 cm ³ e _{xx} : 2,50 cm e _{yy} : 3,41 cm Iy: 28,19 cm ⁴ W _{pl} : 11,27 cm ³ e _{xx} : 5,58 cm e _{yy} : 1,78 cm
E85103	mullion		6,6 m 2665 g/m 158 mm 269 mm	Ix: 169,80 cm ⁴ W _{pl} : 26,76 cm ³ e _{xx} : 2,50 cm e _{yy} : 4,14 cm Iy: 33,43 cm ⁴ W _{pl} : 13,31 cm ³ e _{xx} : 6,46 cm e _{yy} : 1,84 cm
E85104	mullion		6,6 m 2881 g/m 168 mm 309 mm	Ix: 252,55 cm ⁴ W _{pl} : 34,40 cm ³ e _{xx} : 2,50 cm e _{yy} : 4,87 cm Iy: 38,03 cm ⁴ W _{pl} : 15,21 cm ³ e _{xx} : 7,34 cm e _{yy} : 1,89 cm
E85105	mullion		6,6 m 3205 g/m 168 mm 369 mm	Ix: 471,97 cm ⁴ W _{pl} : 46,90 cm ³ e _{xx} : 2,50 cm e _{yy} : 5,93 cm Iy: 44,95 cm ⁴ W _{pl} : 13,98 cm ³ e _{xx} : 8,91 cm e _{yy} : 1,95 cm

